

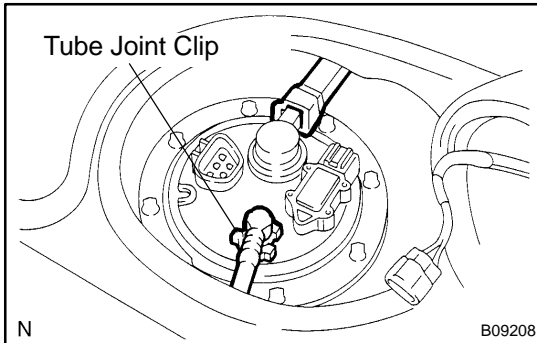
REMOVAL

CAUTION:

Do not smoke or work near an open flame when working on the fuel pump.

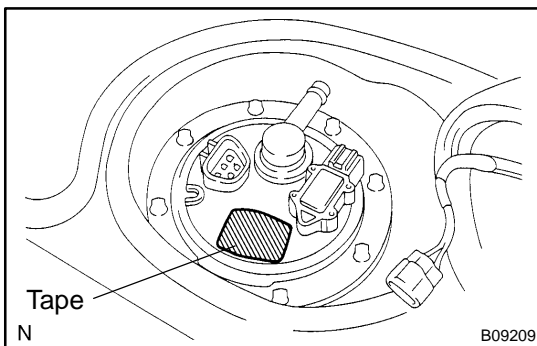
1. REMOVE REAR SEAT CUSHION
2. REMOVE FLOOR SERVICE HOLE COVER

- (a) Take out the floor carpet.
- (b) Remove the service hole cover.

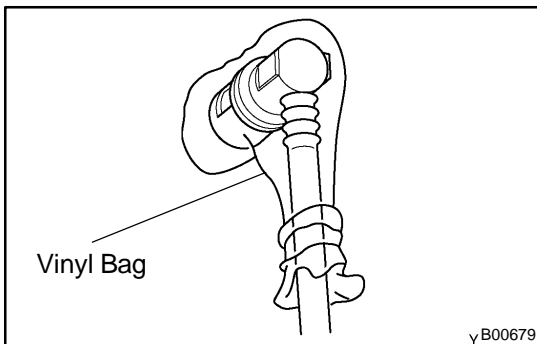


3. DISCONNECT FUEL PUMP & SENDER GAUGE CONNECTOR
4. DISCONNECT FUEL TUBE

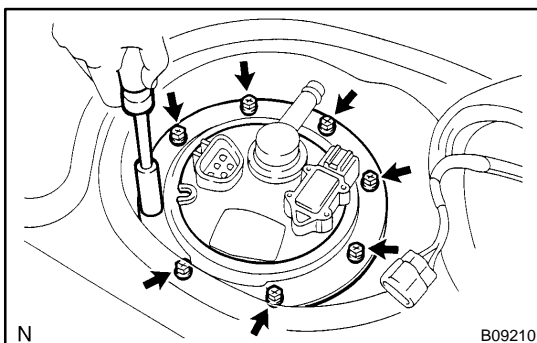
- (a) Wash away the mud, dust and the likes on the fuel suction plate with water.
- (b) Pull off the tube joint clip form the fuel suction plate.
- (c) Disconnect the fuel tube from the fuel pump assembly.



- (d) Affix the tape in order to prevent the port portion from the dust.



- (e) Prevent the disconnected fuel tube from damaging and mixing foreign objects by covering them with a vinyl bag.



5. REMOVE FUEL PUMP ASSEMBLY FROM FUEL TANK

- (a) Remove the 8 bolts and fuel tank vent tube set plate.
Torque: 4 N·m (40 kgf·cm, 35 in.-lbf)
- (b) Pull out the fuel pump assembly.

NOTICE:

- Do not damage the fuel pump filter.
 - Be careful that the arm of the sender gauge should not bent.
- (c) Remove the gasket from the pump assembly.