

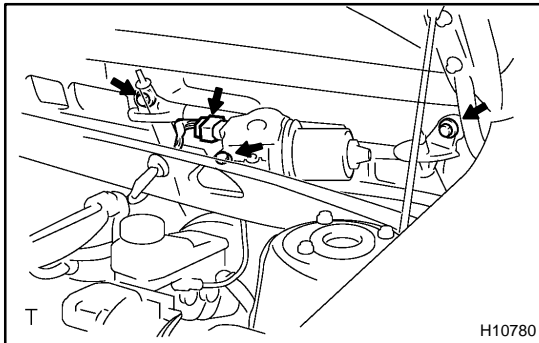
REMOVAL

1. REMOVE WIPER ARMS

Remove the 2 wiper arm head caps, 2 nuts and 2 wiper arms.

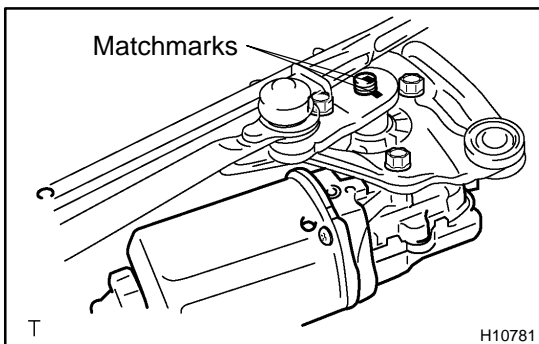
2. REMOVE COWL TOP VENTILATOR LOUVERS

- Remove the hood to cowl top seal.
- Remove the 7 clips, then pull out the cowl top ventilator louver RH and LH.



3. REMOVE WIPER MOTOR ASSEMBLY

- Disconnect the connector.
- Remove the 3 bolts and wiper motor assembly.

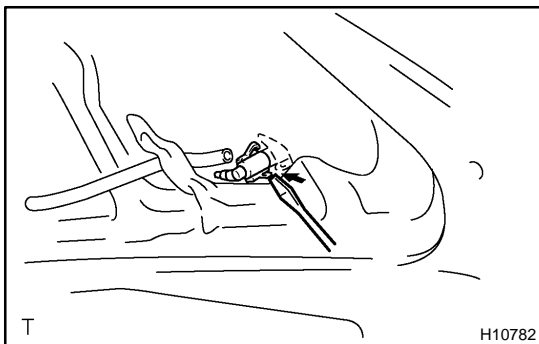


4. REMOVE WIPER MOTOR

- Remove the nut and washer.
- Place the matchmarks on the wiper link and motor.
- Remove the 3 bolts and motor from the wiper link assembly.

5. REMOVE OUTER FRONT COWL TOP PANEL

- Pull out the wiper motor wire harness with the grommet.
- Remove the 9 bolts and outer front cowl top panel.



6. REMOVE FRONT WASHER NOZZLE

- Disconnect the washer hose.
- Using a screwdriver, remove the front washer nozzle from the hood.

HINT:

Tape the screwdriver tip before use.

- Use the same manner described above to the other side.